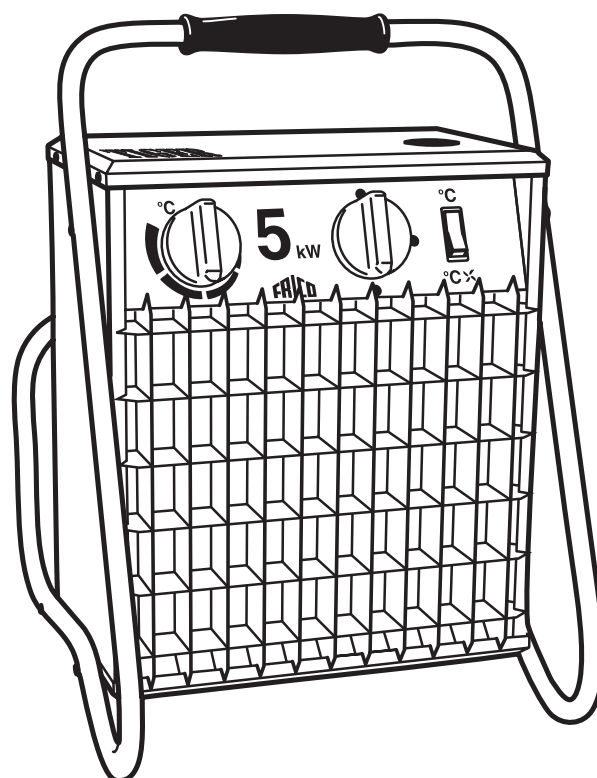


Original instructions

**Tiger 2 - 15 kW**

SE ... 6	GB ... 8	NO ... 10	FR ... 12	DE ... 14
FI ... 17	IT ... 19	NL ... 21	PL ... 24	RU ... 26

SE Denna produkt är endast lämpad för välisolerade utrymmen eller sporadisk användning.

GB This product is only suitable for well insulated spaces or occasional use.

NO Dette produktet er bare egnet for velisolerte rom eller sporadisk bruk.

FR Ce produit ne peut être utilisé que dans des locaux bien isolés ou de manière occasionnelle.

DE Dieses Produkt ist nur für gut isolierte Räume oder für den gelegentlichen Gebrauch geeignet.

FI Tämä tuote soveltuu ainoastaan hyvin eristettyihin tiloihin tai satunnaiseen käyttöön.

IT Il presente prodotto è adatto solo a ambienti correttamente isolati o ad un uso occasionale.

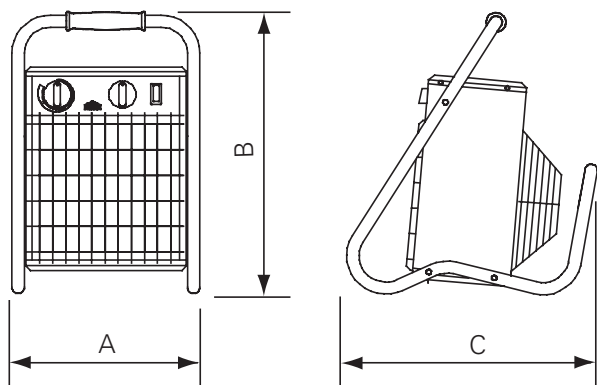
NL Dit product is uitsluitend geschikt voor goed geïsoleerde plaatsen of voor incidenteel gebruik.

PL Ten produkt jest odpowiedni tylko do sporadycznego użytku lub do stosowania w dobrze izolowanych pomieszczeniach.

RU Прибор пригоден к применению в местах с достаточной степенью теплоизоляции или для периодического обогрева.

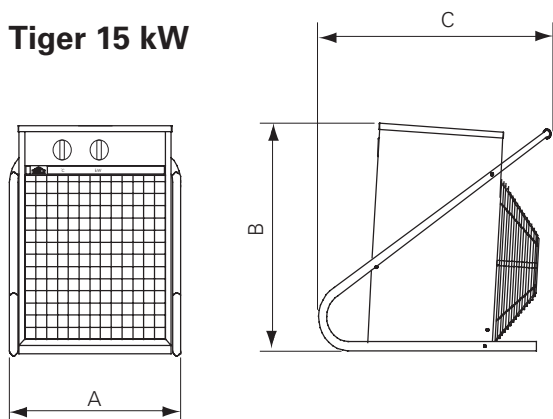
## Tiger 2 - 15 kW

### Tiger 2 - 9 kW



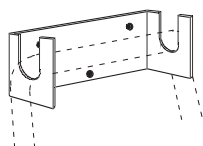
	A [mm]	B [mm]	C [mm]
P21, P31, P33, P53	290	450	390
P93	350	530	480

### Tiger 15 kW



	A [mm]	B [mm]	C [mm]
P153	410	510	530

### Wallbracket for storage of Tiger 2-15 kW



	HxWxD [mm]
LT22406	45x128x40

SE: Väggfäste för förvaring av Tiger 2-15 kW

NO: Veggkonsoll for lagring av Tiger 2-15 kW

FR : Console murale pour rangement du Tiger 2-15 kW

DE: Wandhalterung für Tiger 2-15 kW (bei Nichtgebrauch)

FI: Seinäkannake Tiger 2-15 kW:n säilytykseen

ES: Soporte mural para el almacenamiento de Tiger 2-15 kW

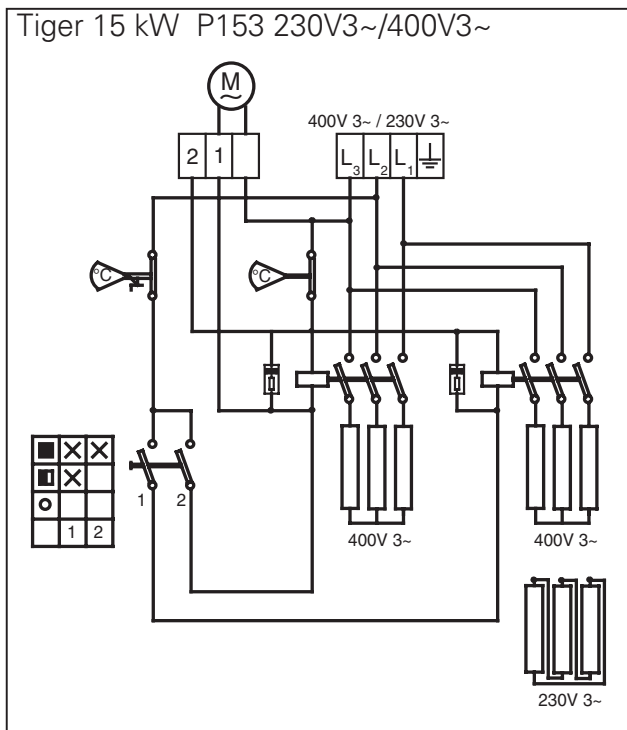
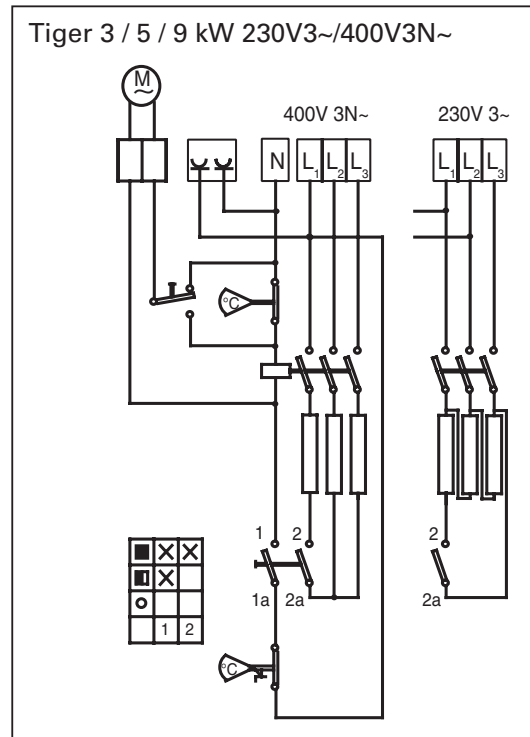
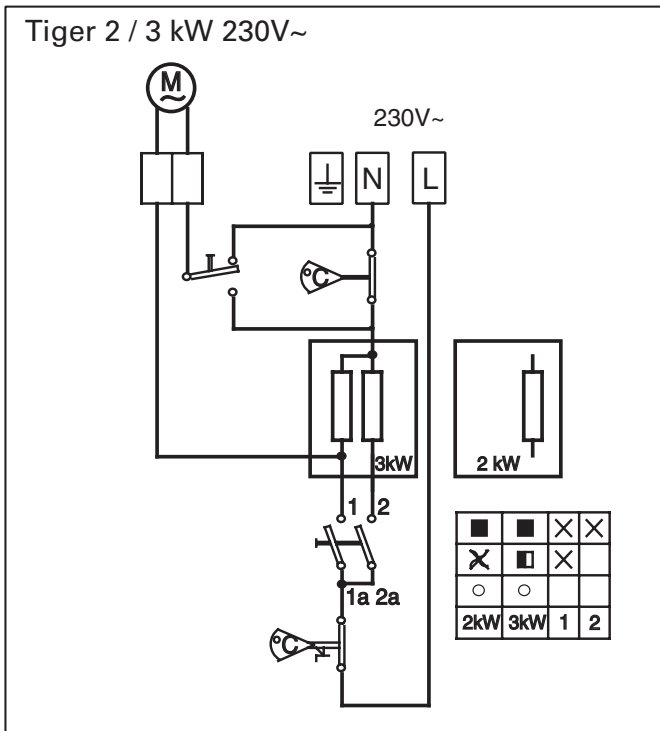
NL: Muurbeugel voor opslag van Tiger 2-15 kW

PL: Uchwyt ścienny do zawieszenia nagrzewnic Tiger 2-15 kW

RU: Настенная скоба для подвески моделей Tiger 2-15кВт при хранении

# Tiger 2 - 15 kW

## Wiring diagram



Item number	Type	Cable	CEE
3082	P21	4G1,5x2m	CEE7
3118	P33-0		
3120	P53-0	4G1,5x2m	CP 416-6
3121	P93-0		
3091	P153	4G4x2m	CP 432-6
3123	P203	4G6x2m	CP 432-6
3084	P3323 230V3~	4G1,5x2m	CP 316-9
3086	P5323 230V3~		
3088	P9323 230V3~	4G2,5x2m	CP 332-9
10680	P33		
10681	P53		
10742	P93		
3085	P33B	5G1,5x2m	CP 416-6
3087	P53B		
3089	P93B		

## Tiger 2 - 15 kW

### Technical specifications

#### Fan heater Tiger, 2-9 kW $\xi$

Type	Output steps [kW]	Airflow [m <sup>3</sup> /h]	Sound level* <sup>1</sup> [dB(A)]	$\Delta t$ * <sup>2</sup> [°C]	Motor [W]	Voltage [V]	Amperage [A]	HxWxD [mm]	Weight [kg]
P21* <sup>4</sup>	0/2	280	41	22	30	230V~	8.8	450x290x390	5.7
P31	0/2/3	280	41	32	30	230V~	13	450x290x390	6.0
P33	0/1.5/3	280	41	32	30	400V3N~* <sup>3</sup>	4.4	450x290x390	6.3
P3323	0/1,5/3	280	41	32	30	230V3~	7,6	450x290x390	6,3
P53	0/2.5/5	480	40	31	55	400V3N~* <sup>3</sup>	7.3	450x290x390	6.7
P5323	0/2,5/5	480	41	31	55	230V3~	12,6	450x290x390	6,7
P93	0/4.5/9	720	44	37	60	400V3N~* <sup>3</sup>	13	530x350x480	10
P9323	0/4,5/9	720	44	32	60	230V3~	23	530x350x480	10

#### Fan heater Tiger, 15 kW $\xi$

Type	Output steps [kW]	Airflow [m <sup>3</sup> /h]	Sound level* <sup>1</sup> [dB(A)]	$\Delta t$ * <sup>2</sup> [°C]	Motor [W]	Voltage [V]	Amperage [A]	HxWxD [mm]	Weight [kg]
P153	0/7.5/15	1120	47	40	80	400V3~	21.9	510x410x530	16
P15323	0/7,5/15	1120	47	40	80	230V3~	38	510x410x530	16

\*<sup>1</sup>) Conditions: Distance to the unit 3 metres. Directional factor: 2. Equivalent absorption area: 200 m<sup>2</sup>.

\*<sup>2</sup>)  $\Delta t$  = temperature rise of passing air at maximum heat output and lowest/highest air flow.

\*<sup>3</sup>) Also available without neutral and are then called P33-0, P53-0 and P93-0. These models do not have the 230V socket on the reverse and are equipped with P416-6 connectors.

\*<sup>4</sup>) Also available as P21CH. P21CH is supplied with plug for Switzerland.

Protection class: IP44.

CE compliant.

#### GB: Technical specifications

SE: Tekniska data  
NO: Tekniske data  
FR: Caractéristiques techniques  
DE: Technische daten  
FI: Tekniset tiedot  
IT: Dati tecnici  
NL: Technische specificaties  
PL: Dane techniczne  
RU: Технические характеристики

#### GB: Airflow

SE: Luftflöde  
NO: Luftstrøm  
FR: Débit d'air  
DE: Luftmenge  
FI: Ilmavirta  
IT: Portata aria  
NL: Luchtstroom  
PL: Wydajność powietrza  
RU: Расх.возд.

#### GB: Motor

SE: Motor  
NO: Motor  
FR: Moteur  
DE: Motor  
FI: Moottori  
IT: Motore  
NL: Motor  
PL: Silnika  
RU: двигатель

#### GB: Amperage

SE: Ström  
NO: Strøm  
FR: Intensité  
DE: Strom  
FI: Virta  
IT: Corrente  
NL: Stroomsterkte  
PL: Natężenie  
RU: Сила тока

#### GB: Output steps

SE: Effektsteg  
NO: Effektrinn  
FR: Puissances  
DE: Abgabestufen  
FI: Tehoportaat  
IT: Stadi potenza  
NL: Capaciteit  
PL: Stopnie mocy  
RU: Ур. мощности

#### GB: Sound level

SE: Ljudnivå  
NO: Lydnivå  
FR: Niveau sonore  
DE: Geräuschpegel  
FI: Melutaso  
IT: Livello sonoro  
NL: Geluidsniveau  
PL: Poziom głośności  
RU: Ур. шума

#### GB: Voltage

SE: Spänning  
NO: Spenning  
FR: Tension  
DE: Spannung  
FI: Jännite  
IT: Tensione  
NL: Voltage  
PL: Napięcie  
RU: Напряжение

#### GB: Weight

SE: Vikt  
NO: Vekt  
FR: Poids  
DE: Gewicht  
FI: Paino  
IT: Peso  
NL: Gewicht  
PL: Masa  
RU: Вес

## Tiger 2 - 15 kW

### SE

- \*1) Förutsättningar: Avstånd till aggregat 3 meter. Riktningfaktor: 2. Ekvivalent absorptionsarea 200 m<sup>2</sup>.
- \*2)  $\Delta t$  = temperaturhöjning på genomgående luft vid maximal värmeeffekt och lägst respektive högst luftflöde.
- \*3) Finns även utan nolla och har då typbeteckningarna P33-0, P53-0 och P93-0. Dessa modeller saknar 230V-uttag på baksidan och är försedda med anslutningsdon P416-6.

Kapslingsklass: IP44. CE-märkt.

### NO

- \*1) Betingelser: Avstand til aggregat 3 meter. Retningsfaktor: 2. Ekvivalent absorpsjonsareal: 200 m<sup>2</sup>.
- \*2)  $\Delta t$  = temperaturøkning på gjennomstrømmende luft ved maksimal varmeeffekt og lav/høy luftmengde.
- \*3) Finnes også uten nulleleder og har da typebetegnelse P33-0, P53-0 og P93-0. Disse modellene har ikke 230 V uttak på baksiden og er utstyrt med P416-6-kontakter.

Kapslingsklasse: IP44. CE-merket.

### FR

- \*1) Conditions : Distance de l'appareil : 3 mètres. Facteur directionnel : 2. Surface d'absorption : 200 m<sup>2</sup>.
- \*2)  $\Delta t$  = augmentation de température sous un débit d'air mini / maxi et une puissance maximale.
- \*3) Egalement disponible avec neutre. Leurs références sont alors P33, P53 et P93. Ces modèles ne disposent pas de la prise 230 V à l'arrière mais sont équipés des connecteurs P416-6.

Indice de protection: IP44. Marquage CE.

### DE

- \*1) Bedingungen: Abstand zum Gerät: 3 Meter. Richtungsfaktor: 2. Entsprechende Absorptionsfläche: 200 m<sup>2</sup>.
- \*2)  $\Delta t$  = Temperaturanstieg bei maximaler Heizleistung und hohem/niedrigem Volumenstrom.
- \*3) Auch ohne Nullleiter erhältlich und heißen dann P33-0, P53-0 und P93-0. Diese Modelle haben keinen 230-V-Anschluss auf der Rückseite und sind mit P416-6-Steckern versehen.
- \*4) Auch als P21CH erhältlich. P21CH wird mit Stecker für die Schweiz geliefert.

Schutzart: IP44. CE-konform.

### FI

- \*1) Mittausjärjestelyt: Etäisyys laitteeseen 3 m. Suuntaavuuskerroin 2. Ekvivalentti absorptioala: 200 m<sup>2</sup>.
- \*2)  $\Delta t$  = läpivirtaavan ilman lämpötilan nousu suurimmalla lämpöteholla ja pienellä/suurella ilmavirralla.
- \*3) Saatavana myös ilman nollajohdinta, jolloin tyyppi on P33-0, P53-0 ja P93-0. Näissä malleissa ei ole 230 V~ pistorasiaa takapuolella.

Kotelointiluokka: IP44. CE-merkitty.

### IT

- \*1) Condizioni: distanza dall'unità 3 metri. Fattore direzionale: 2. Superficie di assorbimento equivalente: 200 m<sup>2</sup>.
- \*2)  $\Delta t$  = innalzamento della temperatura dell'aria in transito alla massima potenza termica.
- \*3) Disponibili senza Neutro, modelli P33-0, P53-0 e P93-0. Questi modelli non sono dotati di presa 230 V sul retro e presentano connettori P416-6.

Classe di protezione: IP44. Conformità CE.

### NL

- \*1) Condities: Afstand tot de unit 3 meter. Richtingsfactor: 2. Equivalent absorptiegebied: 200 m<sup>2</sup>.
- \*2)  $\Delta t$  = Temperatuurstijging van de passerende lucht op maximale verwarming en laagste/hogste luchtstroom.
- \*3) Ook verkrijgbaar zonder nul en wordt dan P33-0, P53-0 en P93-0 genoemd. Deze modellen hebben geen 230V~ stopcontact aan de achterzijde.
- \*4) Ook leverbaar als P21CH. P21CH wordt voor Zwitserland met stekker geleverd.

Beschermingsklasse: IP44. Voldoet aan CE.

### PL

- \*1) Warunki: Odległość do urządzenia 3 m. Współczynnik kierunkowy: 2. Powierzchnia absorpcji: 200 m<sup>2</sup>.
- \*2)  $\Delta t$  = przyrost temperatury przy maksymalnej mocy grzewczej.
- \*3) Występują także w wersjach bez przewodu zerowego, oznaczonych P33-0, P53-0 i P93-0. Te modele nie mają z tyłu gniazda 230 V i są wyposażone w złącza P416-6.

Stopień ochrony: IP44. Certyfikat CE.

### RU

- \*1) Условия: Расстояние до прибора 3 метров. Фактор направленности 2. Эквивалентная площадь звукопоглощения 200 м<sup>2</sup>.
- \*2)  $\Delta t$  = Увеличение температуры проходящего воздуха при полной выходной мощности и min/max расходе воздуха.
- \*3) Возможно исполнение без нейтрали и тогда модели маркируются соответственно P33-0, P53-0 и P93-0. У этих моделей на задней панели нет розетки на 220В.

Класс защиты: IP44. Сертифицированы ГОСТ, стандарт CE.

## Assembly and operating instructions

### General Instructions

Read these instructions carefully before installation and use. Keep this manual for future reference.

*The product may only be used as set out in the assembly and operating instructions. The guarantee is only valid if the product is used in the manner intended and in accordance with the instructions.*

### Application

Tiger is a range of robust and compact fan heaters for professionals with high demands. Tiger 2-9 kW are intended for heating and drying areas such as garages, workshops and shops. Enclosure: Splash proof design, IP44.

### Electrical connection

The Tiger fan heater is equipped with a 1.8 metre long connection cable.

- P21 and P31 have cords with plugs for connection to earthed outlet sockets (P21 requires 10 A fuse protection, P31 requires 16 A fuse protection).
- P33, P53, P93 and P153 all have a CEE plug fitted on the connection cable. There is a 230V-outlet socket of type F at the rear of P33, P53 and P93. The socket gives the possibility to connect, for example, lighting or a charger for cordless tools. Products with 230V-outlet socket of type E are also available for ordering.

### The outlet cannot be loaded with more than the following currents:

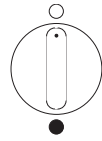
Output steps	3 kW, 400V3N~	5 kW, 400V3N~	9 kW, 400V3N~
1/2	16 A	16 A	16 A
1/1	11.7 A	8.8 A	3 A

The heater must be protected by a 16 A-fuse.

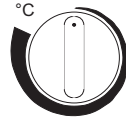
### Start-up

When the unit is used for the first time or after a long period of disuse, smoke or odour may result from dust or dirt that has collected on the element. This is completely normal and disappears after a short time.

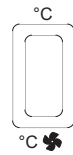
### Function




**Tiger 2-15:**  
Output steps, see technical data.



**Tiger 2-15:**  
Adjustable range of the thermostat, 5–35 °C.



**Tiger 2-9:**  
With the switch in position °C the fan blows continuously and the thermostat only regulates the heat. In position °C  the thermostat will also regulate the fan.

### Overheating

The built-in temperature limiter is triggered if the temperature rises in the fan heater. After rectification of the fault and cooling of the appliance the overheating protection can be reset by pushing in the button on top of the appliance. In case of repeated trouble a qualified electrician should be contacted.

### Maintenance

The fan heater are more or less maintenance-free. Dust and dirt may cause overheating and danger of fire. The appliance must therefore be cleaned regularly.

### Regulation

The unit is equipped with mechanic thermostat room temperature control and can be used as a local space heater according to Ecodesign Regulation (EU) 2015/1188.

#### Tiger, 2–9 kW

The built-in thermostat controls fan speed and heat, or heat only. The choice is made with the mode selector. When operating with heat only the fan blows constantly and the thermostat only controls the heat output. Thermostat with setting range 5–35°C. Output is set via the output selector.

#### Tiger, 15 kW

Built-in thermostat with setting range 5–35°C. Output is set via the output selector, for steps see table.

### Residual current circuit breaker

When the installation is protected by means of a residual current circuit breaker, which trips when the appliance is connected, this may be due to moisture in the heating element. When an appliance containing a heater element has not been used for a long period or stored in a damp environment, moisture can enter the element. This should not be seen as a fault, but is simply rectified by connecting the appliance to the mains supply via a socket without a safety cut-out, so that the moisture can be eliminated from the element. The drying time can vary from a few hours to a few days. As a preventive measure, the unit should occasionally be run for a short time when it is not being used for extended periods of time.

### Packaging

Packaging materials are chosen with consideration to environment and are therefore recyclable.

### Handling of product at end of working life

This product may contain substances necessary for functionality of product but potentially dangerous for the environment. The product should not be disposed mixed with general household waste but delivered to a designated collection point for environmental recycling. Please contact local authority for further details of your nearest designated collection point. Recycling of used products saves earth's resources and reduces global footprint.

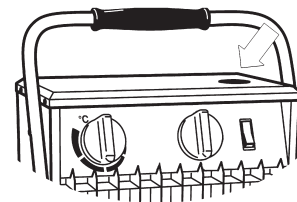
### Safety

- For all installations of electrically heated products should a residual current circuit breaker 300 mA for fire protection be used.
- The appliance must not be used in the immediate vicinity of bathtubs, showers, wash basins or swimming pools!
- The appliance has hot surfaces during operation!
- The appliance must not be placed so that inflammable material can be ignited.
- The appliance must not be covered either with clothes or similar material, since

*overheating of the appliance can result in fire hazard!*

- *The appliance must not be placed directly under a wall-outlet!*
- *Do not use the heater in a room with a floor area of less than 4m<sup>2</sup>!*
- *This appliance can be used by children aged from 8 years and above and persons with reduced physical, sensory or mental capabilities or lack of experience and knowledge if they have been given supervision or instruction concerning use of the appliance in a safe way and understand the hazards involved. Children shall not play with the appliance. Cleaning and user maintenance shall not be made by children without supervision.*
- *Children of less than 3 years should be kept away unless continuously supervised.*
- *Children aged from 3 years and less than 8 years shall only switch on/off the appliance provided that it has been placed or installed in its intended normal operating position and they have been given supervision or instruction concerning use of the appliance in a safe way and understand the hazards involved.*
- *Children aged from 3 years and less than 8 years shall not plug in, regulate and clean the appliance or perform user maintenance.*

**CAUTION** — Some parts of this product can become very hot and cause burns. Particular attention has to be given where children and vulnerable people are present.



*Push the button on top of the unit to make sure the temperature limiter has not been triggered during transport!*



**Main office**

Frico AB  
Industrivägen 41  
SE-433 61 Sävedalen  
Sweden

Tel: +46 31 336 86 00

mailbox@frico.se

www.frico.net

**For latest updated information and information  
about your local contact: [www.frico.se](http://www.frico.se)**