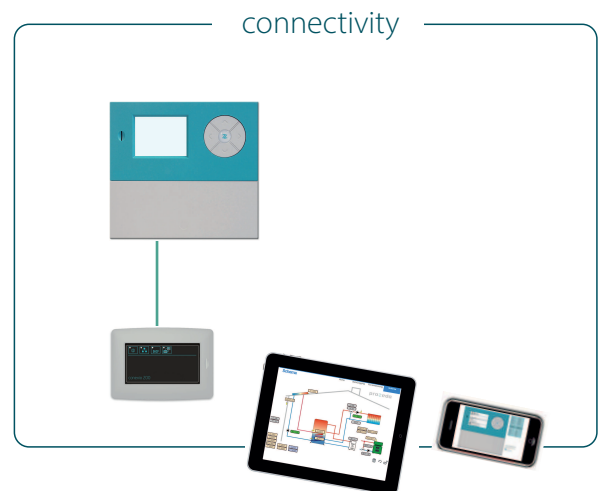


primos 600 SR

Digital Solar Controller

prozeda

Prozessautomation
Elektronik
Datentechnik



REGULA

Flexible solar circuits controller for the control of solar heating systems

Temperature difference controller with multiple system diagrams and integrated multi-function controllers for flexible system extension.

All advantages at a glance

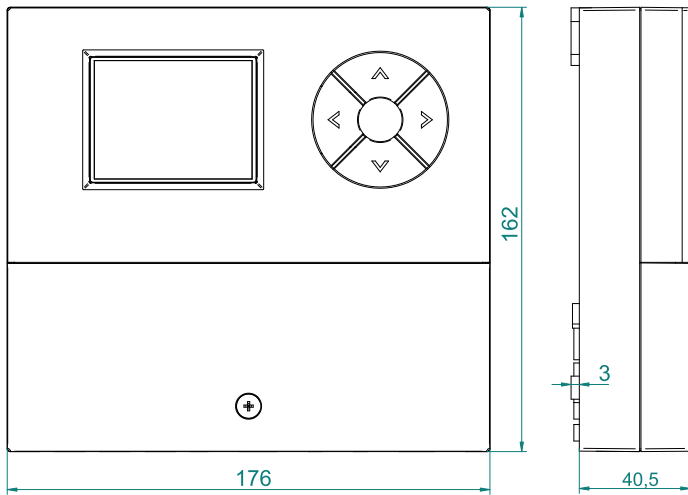
- ⊕ Comfortable and intuitive user interface with 4 menus for monitoring and controlling and 4 operating buttons
- ⊕ LED-backlit LCD display
- ⊕ Micro SD-card interface
- ⊕ Data logging (data storage)
- ⊕ System specific parameter setup (storage and loading of parameter sets)
- ⊕ Firmware update
- ⊕ Prozeda bus
- ⊕ Internet connection, remote visualization and remote maintenance (conexio 200 web module)
- ⊕ Remote control (navo 200 remote control unit)
- ⊕ Energy yield measurement (flow sensor, vortex flow sensor, flow indicator)
- ⊕ Multi function controllers with various pre-programmed controller functions
- ⊕ 15 pre-defined solar diagrams (can be switched off)
- ⊕ Intelligent pump speed control
- ⊕ Target temperature charging (heat source min. temperature)
- ⊕ "Parallel charging" function (for 2 or more storage tanks)
- ⊕ Solar radiation evaluation
- ⊕ „Storage tank priority" function
- ⊕ Storage tank with lower priority can be deactivated
- ⊕ Tube collector function, time or solar radiation controlled, with adjustable time slot
- ⊕ Drain-Back function, time and radiation controlled
- ⊕ Holiday mode
- ⊕ Protection functions, such as system protection, anti-freeze protection, collector protection and flow monitoring
- ⊕ Service and status messages with flashing symbols and acoustic warning signals
- ⊕ Parameters remain constant even after a power outage
- ⊕ 3 outputs 230V AC
- ⊕ 2 PWM or 0-10V analog outputs for HE pumps
- ⊕ 1 potential free output
- ⊕ 1 interface for VFS sensor
- ⊕ 1 radiation sensor input
- ⊕ 6 temperature inputs PT1000

Multi-function controller:

The basic layout can be extended by multi-function controllers. The free output R3 can be assigned as a multi-function controller with the following functions:

Heating, cooling, temperature difference





Connectivity:

Web module conexio 200



Multi-function controllers



www.prozeda.de/mfr



Technical data

Operating voltage: AC 230 Volt, 50 Hz, -10 bis +15 %

Standby consumption: 0,8 W

Outputs: Electronic semiconductor relay, 230 V AC, 50 Hz, min. 10 mA, max. 150 W, with $\cos \varphi >=0,9$

Output R0: Relay, potential-free normally open contact, max. 250 V AC / 1 A

Control output for HE pumps:

PWM signal: 1kHz, ViL < 0,5 V DC, ViH > 9 V DC, 10 mA max.

Analog signal: 0 ...+10 V DC +/- 3%, 10 mA max.

Total output of all outputs: max. 300 W

Inputs: Temperature inputs for temperature sensors PT 1000 (protected by varistors)

Measuring range (temperature): -30 °C to +250°C

Interfaces: RS 485 for ProBus / ProBusX

Protection: Microfuse 5 × 20 mm, 2 A/T (2 ampere, slow)

Ambient temperature: 0 to +40 °C

Storage temperature: -10 to +60 °C

Housing material: 100 % recyclable ABS housing

Dimensions: L x W x D in mm 176 × 162 × 44

Protection class: IP30 according to DIN 40050, EN 60529

The REGULA series

	primos 250 SR	primos 600 SR	grandis 600 SR	grandis 600 HK	grandis 650 HK
Electronic outputs 230 V AC	1	3	7 (13*)	7 (13*)	7 (19*)
Potential free relay output	1	1	1	1	1
Control outputs for HE pumps (PWM/Analog)	1	2	3*	3*	3*
Temperature inputs PT1000	4	6	10 (18*)	10 (18*)	10 (26*)
Radiation sensor	-	1	1	1	1
Grundfos VFS and/or flow meter	-	1	2 (4*)	2 (4*)	2 (6*)
Number of collector fields	1	1-2	1-2	1-2	1-2
Number of storage tanks	1	1-2	1-4	1-2	1-2
Pre-defined solar layouts	1	7	80	15	15
Heating circuits	-	-	1 (3*)	2 (3*)	2 (4*)
Display	LCD/Icons	LCD/Icons	Graphic	Graphic	Graphic
ProBus / ProBusX	•/•	•/•	•/•	•/•	•/•
Max. number of flex 400 extension modules	-	-	2	2	4
Micro SD-Card	•	•	•	•	•
Remote control/visualization conexio 200	•	•	•	•	•
Multi-function controllers (MFR)	2	up to 4	up to 8	up to 8	6

* Extendable with flex extension modules

Prozeda GmbH
In der Büg 5
91330 Eggolsheim
Tel +49 (0) 91 91 61 66 0
Fax +49 (0) 91 91 61 66 22

kontakt@prozeda.de
www.prozeda.de

prozeda

Our know-how for planning and installation specialists - for 25 years

1989-2014 25 years of Innovation